

Additions/Replacements

Cortland Seeding (5/30/86)

Binder 1: Overview

Replacements:

- Technical Introduction to the Cortland

Binder 2: 65816

Replacements:

- Debugger 816 Abbreviated Manual 5/4/86

Binder 3: Firmware ERS's

Additions:

- ROM Diagnostics 00.30

Replacements:

- Monitor ERS 00:70
- Banks \$E0/\$E1 Memory Map 01:00
- Control Panel ERS 00:70
- Apple DeskTop Microcontroller Tool Set 05/15/86
- Implementation of SmartPort 00.13

Binder 4: Tools Overview

Additions:

- Scheduler 00.20

Replacements:

- Miscellaneous Tools (includes "new" p. 15) 0.86
- Integer Math Tools 00:20
- Text Tools 0.15
- QuickDraw II ERS 5/25/86
- Cortland Menu Manager 5/8/86

Binder 5: Other Tools

No Change.

Binder 6: Human Interface Guidelines

No Change.

Binder 7: ProDOS 16 & Finder

Replacements:

- ProDOS/16 Version 1.0 for the Apple//16 0.05
- Cortland Finder (Finders Keepers, Users Weepers) 00.20

Binder 8: Development Environment

Additions:

Appendix A (to be attached to the CPW Core ERS)

Replacements:

- System Loader ERS 00:90
- Object Module Format ERS 00:80

Binder 9: C Language

No Change.

Binder 10: Pascal

No Change. Note: This binder is empty at this time.

Binder 11: Hardware ERS's

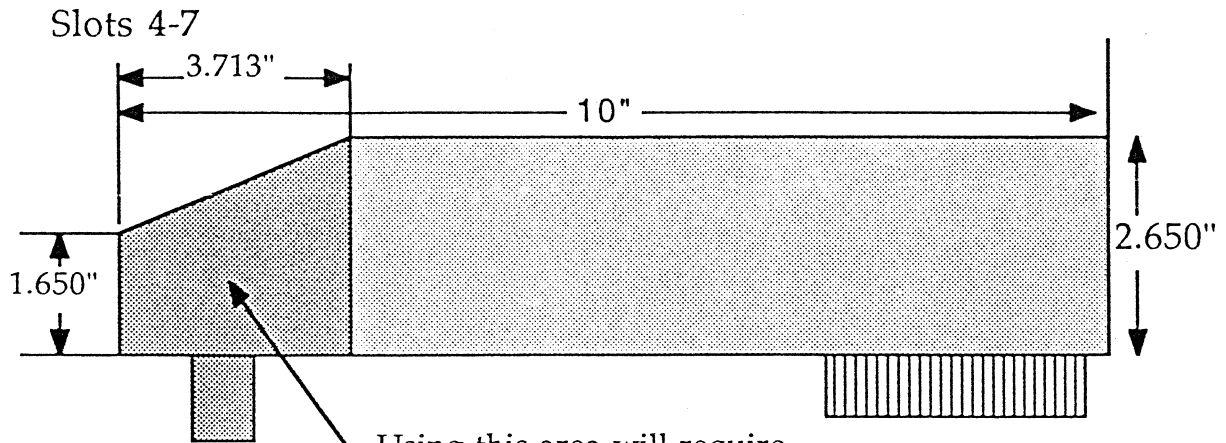
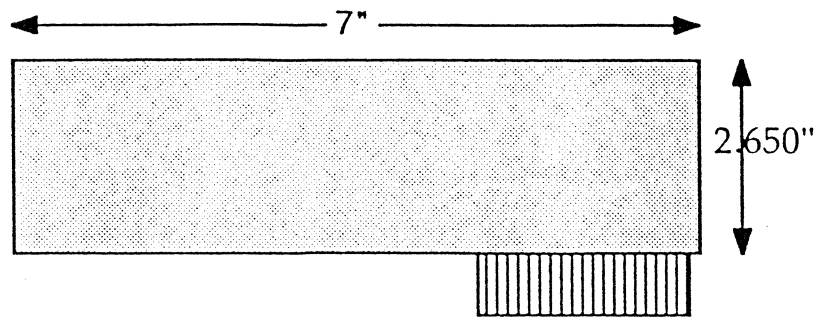
Replacements:

- SingleChip Microcontroller ERS

3.0

Vegas Peripheral Card Sizes

Slots 1-3



Using this area will require a support. This will be tricky because the location of the post will depend on what slot the card is plugged into.

Vegas Memory Expansion Slot

